



VECTA LIGHT SOLUTIONS 2016^{EN}



KEY LIGHT	_____	6
CROWN LIGHT	_____	12
LUMINOUS	_____	18
EXPO	_____	20
COMBI	_____	26



VECTA DESIGN HAS PAID SPECIAL ATTENTION TO THE DEVELOPMENT OF NEW LIGHTING SOLUTIONS FOR COMBINATION WITH STRETCH CEILINGS. LIGHT HAS THE POWER TO MAKE AN INTERIOR LOOK FRESH AND LIGHT. WITH THE SMART USE OF LIGHT IT IS POSSIBLE TO CREATE VARYING LEVELS OF ILLUMINATION AND FOCAL POINTS.

VECTA DESIGN HAS DEVELOPED A RANGE OF ORIGINAL AND UNIQUE LIGHT SYSTEMS THAT FORM THE VECTA LIGHT SOLUTIONS PRODUCT LINE. THESE SYSTEMS CAN BE USED AS THE MAIN SOURCES OF LIGHT OR TO PROVIDE CREATIVE DESIGN FEATURES.

SYSTEMS INCLUDED IN VECTA LIGHT SOLUTIONS



VECTA **KEY**LIGHT LIGHTING SYSTEM

AL 18 KEY LIGHT

VECTA KEY LIGHT - an original solution for the integration of LED lighting with stretch ceilings. The LED lighting is 30 mm wide and enables the creation of continuous glowing lines. Two different diffusers are available to provide the option of direct or scattered light.

CROWN LIGHT by Vecta Design

AL 20 CROWN LIGHT

VECTA CROWN LIGHT - a unique system featuring a 25 mm wide flat diffuser that creates the effect of a stretch ceiling floating on an illuminated perimeter.

LUMINOUS

AL 21 LUMINOUS

AL 21 LUMINOUS - a special aluminium profile that has been developed by VECTA DESIGN to enable the creation of custom design LED light boxes.

EXPO

AL 22 EXPO

VECTA EXPO is a modular system featuring stretch ceiling material installed in a frame constructed from the AL 22 profile using special fixings. If required, LED lighting can be easily installed. VECTA EXPO panels can be used as illuminated or acoustic partition walls, exhibition or information stands and, by design, can be used for other applications that may be specified by clients.

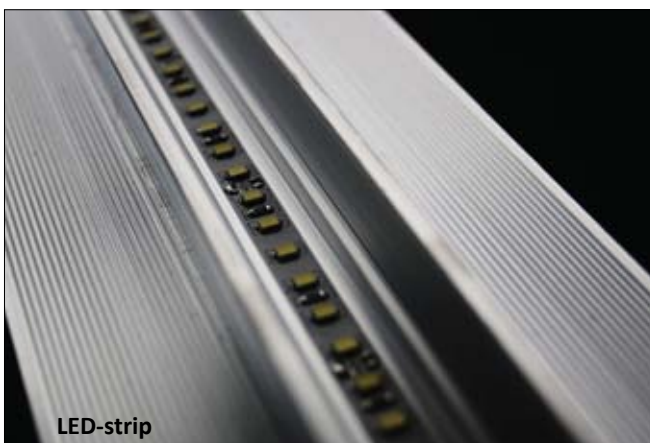
COMBI

AL 23 COMBI

AL 23 COMBI was developed to enable integration of the KEY LIGHT system into gypsum board ceilings. In addition, the COMBI profile is multifunctional, as it can be used to combine gypsum board and stretch ceiling material in one room. For all installations, the COMBI system enables the creation of interior design accents with continuous light lines from the 30 mm wide LED strips.



KEYLIGHT SYSTEM COMPRISES OF ALUMINUM PROFILE AL18, LED-SOURCE AND DIFFUSOR VEC-1 OR VEC-2



LED STRIPS TECHNICAL SPECIFICATIONS

	LR-39	LR-40
Length, mm	5000	5000
Width, mm	8	8
Thickness, mm	1	1
Wavelength	6000K	4000K
LED color	cold white	neutral white
Luminous Intensity, lm/m	1700	1700
Limited voltage, V	DC 24	DC 24+-0,5
Output power, W/m	14	14

VECTAKEYLIGHT LIGHTING SYSTEM

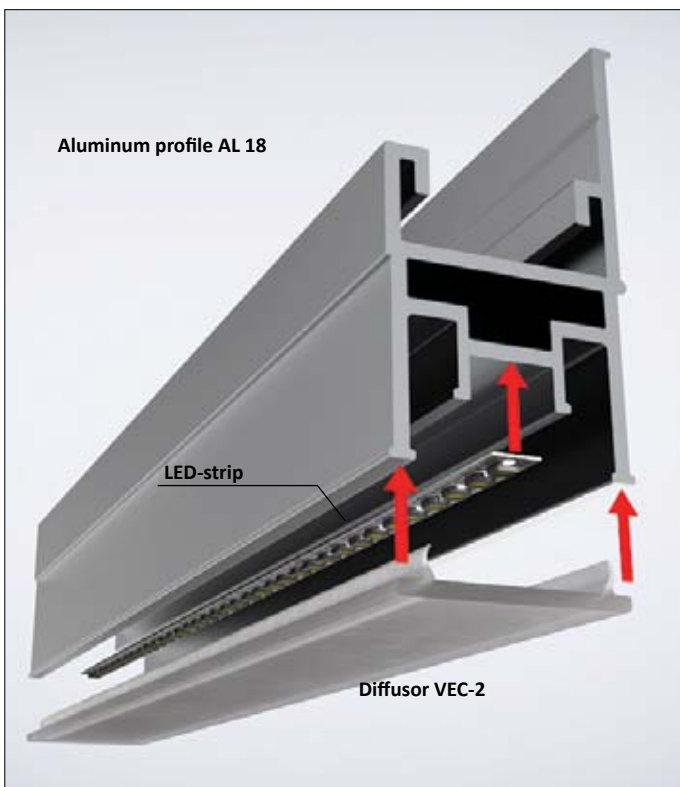
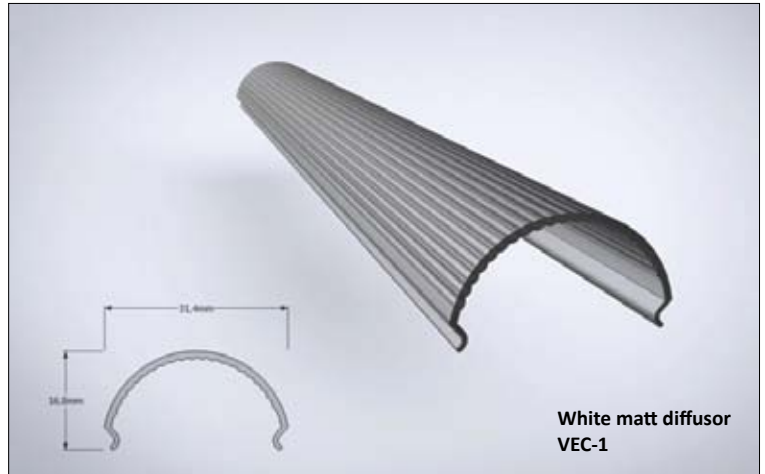
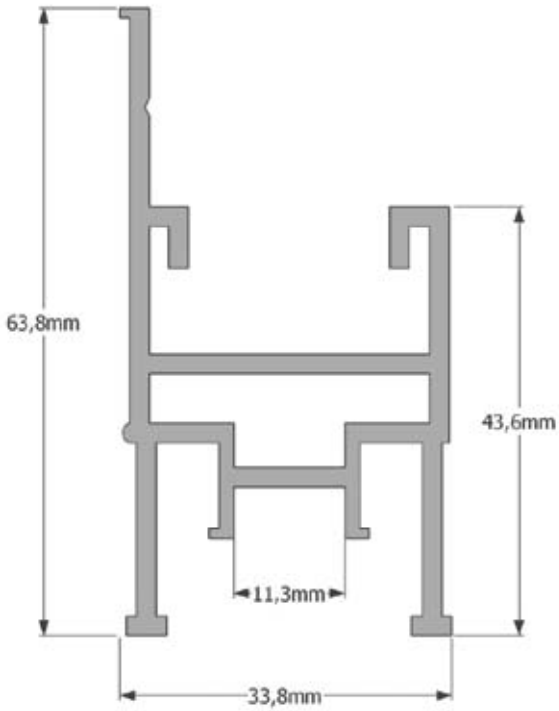
AL 18 KEY LIGHT

AL 20 CROWN LIGHT

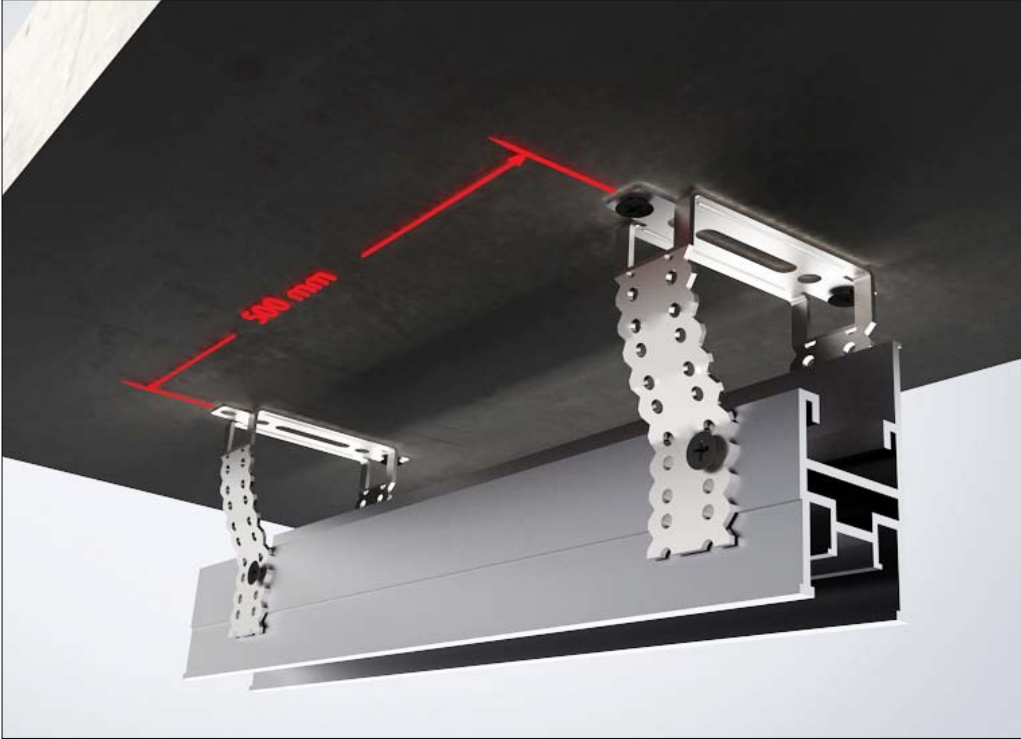
AL 21 LUMINOUS

AL 22 EXPO

AL 23 COMBI



MOUNTING OF PROFILES TO THE CEILING



AL 18 profiles are fixed to the ceiling using suitable joist hangers at 50 cm centres.



VECTAKEYLIGHT

LIGHTING SYSTEM

CONNECTION OF PROFILES



VECTA KEY LIGHT system enables the creation of modern interior designs by using light accents. High quality stretch or gypsum board ceilings featuring fully integrated LED lighting will provide a unique and stylish appearance.

Continuous light lines can be achieved with this 30mm wide integrated LED lighting. With specially developed diffusers two levels of illumination are possible, direct and scattered light. VECTA KEY LIGHT can be installed to create geometric patterns.

VECTA KEY LIGHT system features an aluminum profile AL 18, an LED light source and a matt diffuser. Modern light sources such as LED are high efficiency and are long-lasting, having a life of over 50000 hours. This system can be also used for emergency lighting when connected to an appropriate power source.



AL 18 KEY LIGHT

AL 20 CROWN LIGHT

AL 21 LUMINOUS

AL 22 EXPO

AL 23 COMBI

NEW WAYS OF USING KEY LIGHT SYSTEM



CAP-1

CAP-1 for KEY LIGHT system has been developed by VECTA DESIGN to enable the creation of exciting ceiling designs. With CAP-1, the KEY LIGHT profile can end anywhere in the stretch ceiling.

VECTAKEYLIGHT

LIGHTING SYSTEM



AL 18 KEY LIGHT

AL 20 CROWN LIGHT



AL 21 LUMINOUS



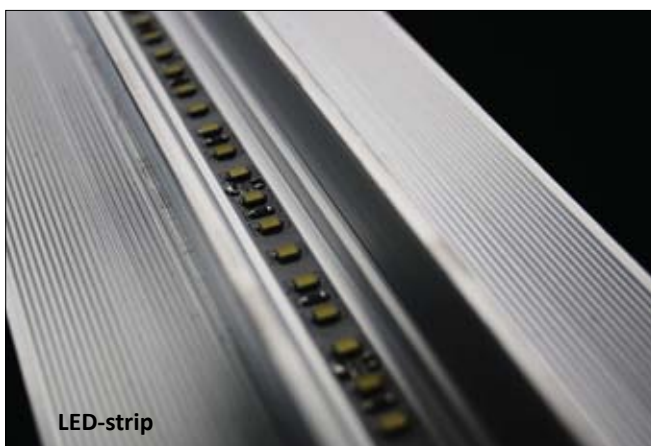
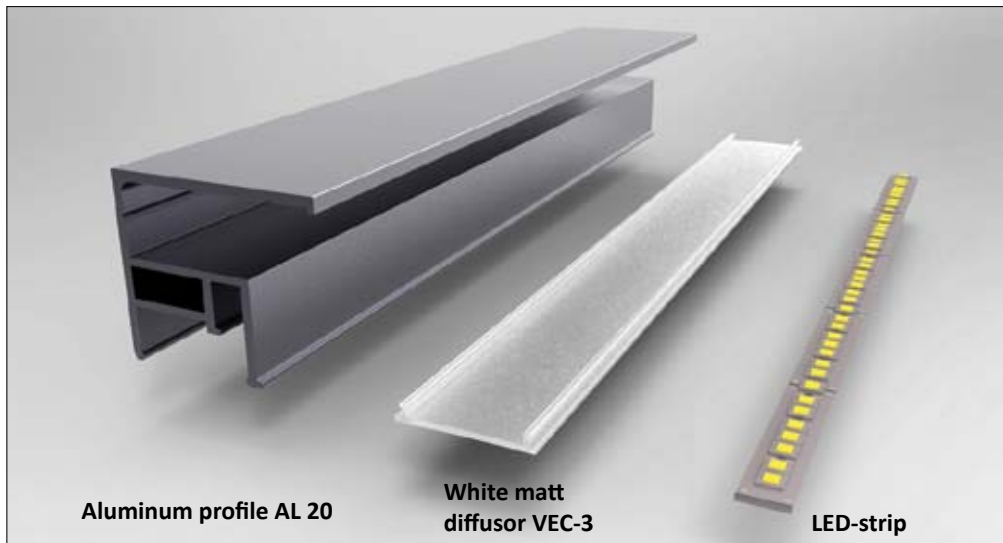
AL 22 EXPO



AL 23 COMBI



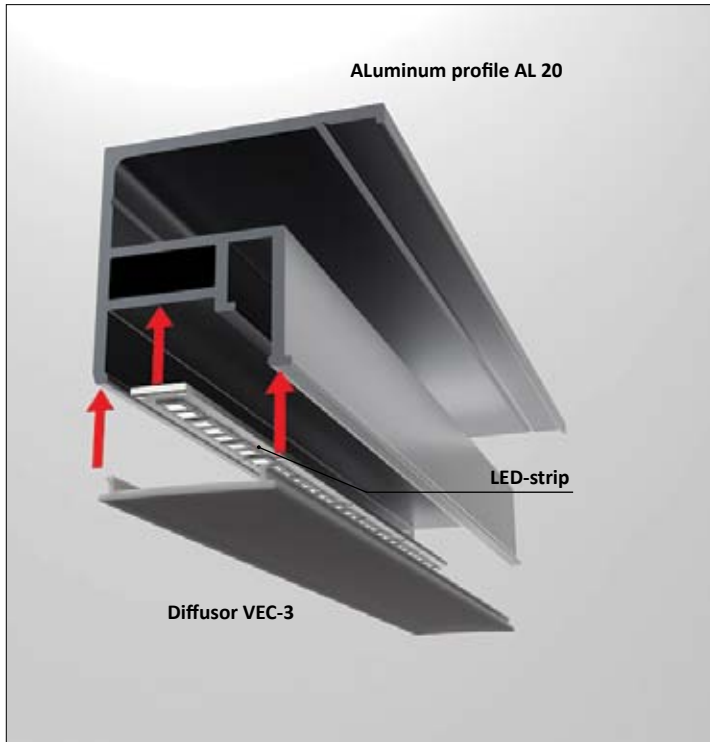
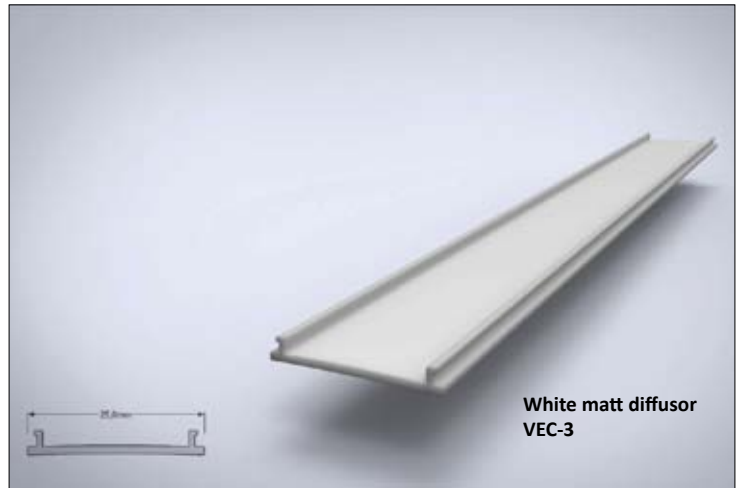
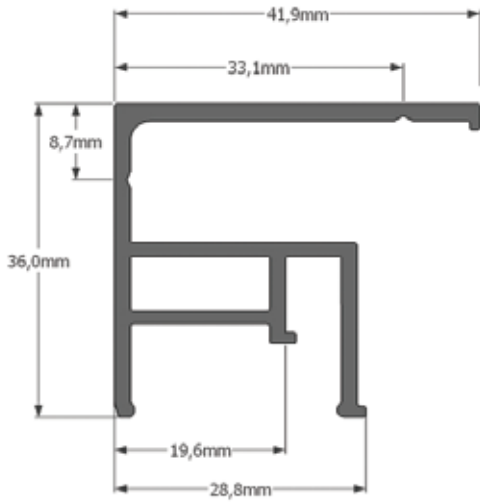
CROWN LIGHT SYSTEM COMPRISES OF ALUMINUM PROFILE AL20, LED-SOURCE AND DIFFUSOR VEC-3



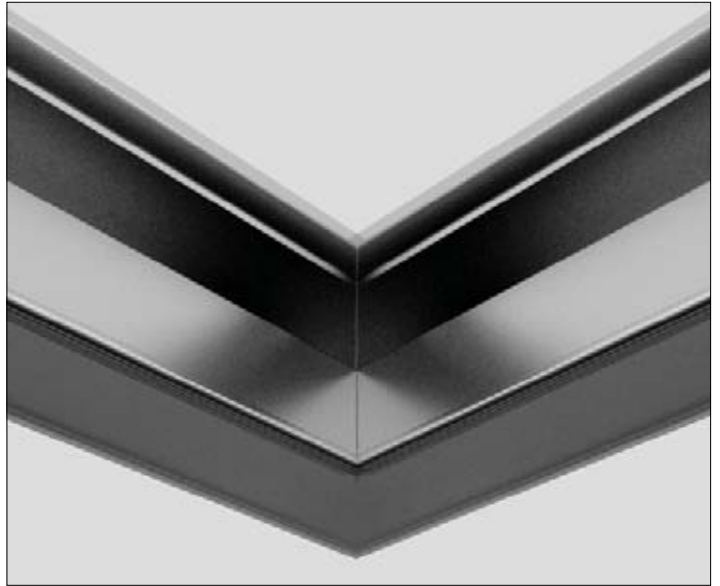
LED STRIPS TECHNICAL SPECIFICATIONS

	LR-39	LR-40
Length, mm	5000	5000
Width, mm	8	8
Thickness, mm	1	1
Wavelength	6000K	4000K
LED color	cold white	neutral white
Luminous Intensity, lm/m	1700	1700
Limited voltage, V	DC 24	DC 24+-0,5
Output power, W/m	14	14

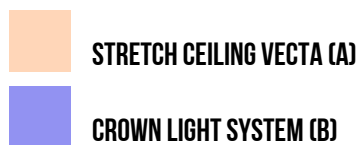
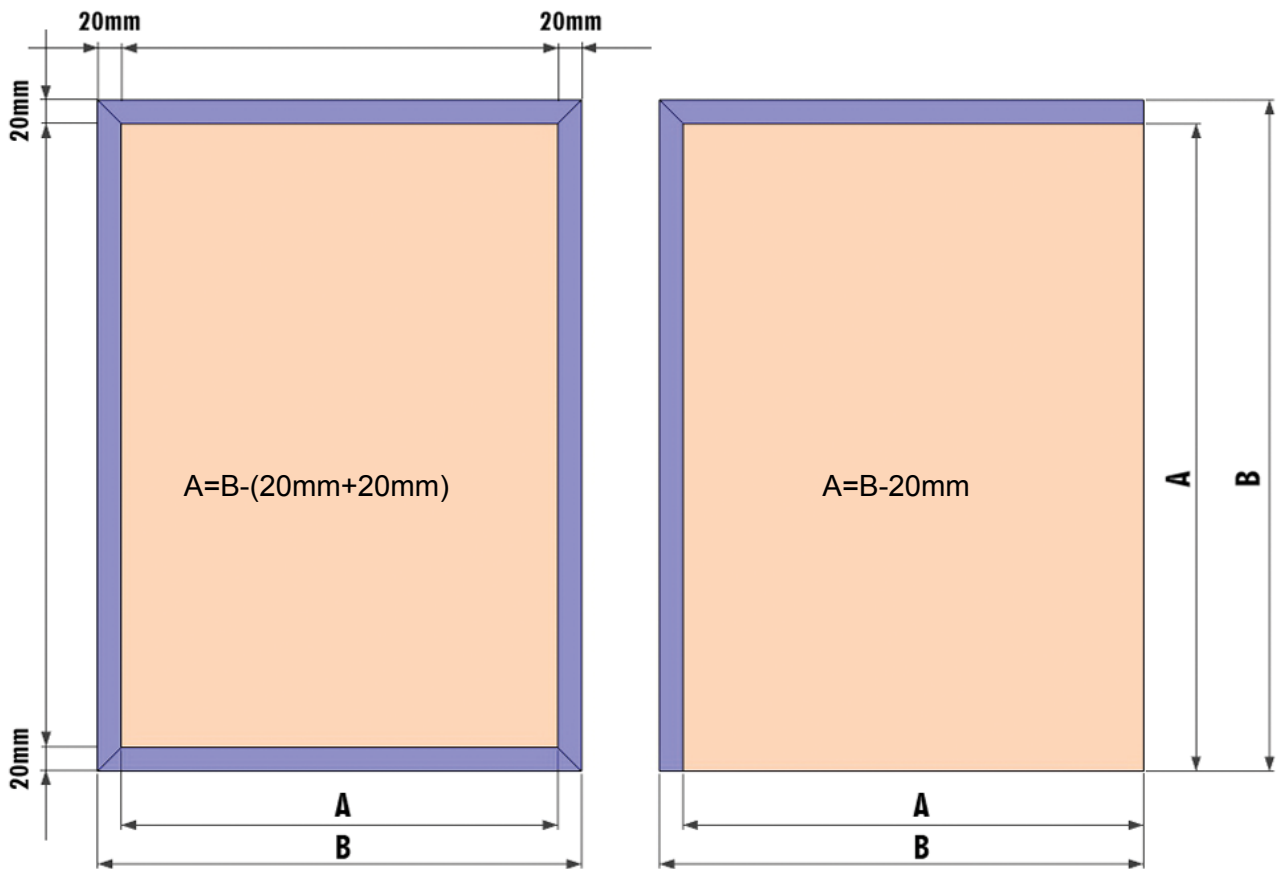
LED-STRIP LR-04 RGBW CAN BE USED WITH VECTA CROWN LIGHT SYSTEM



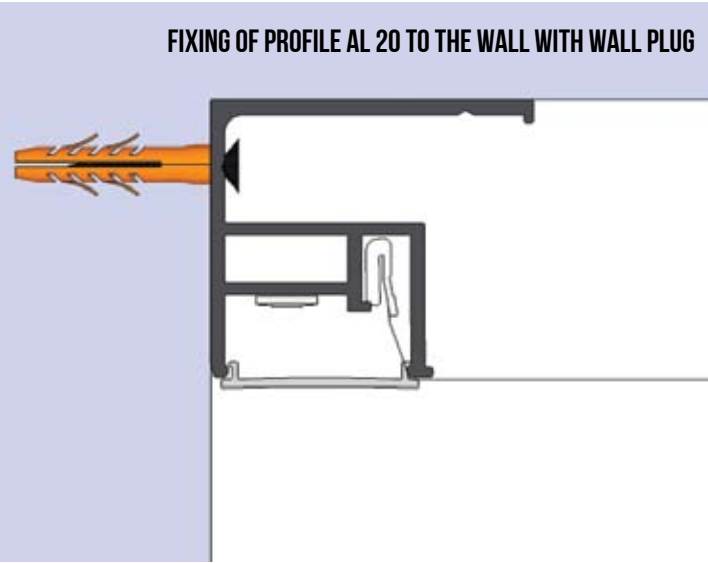
ANGLE CONNECTION OF PROFILE



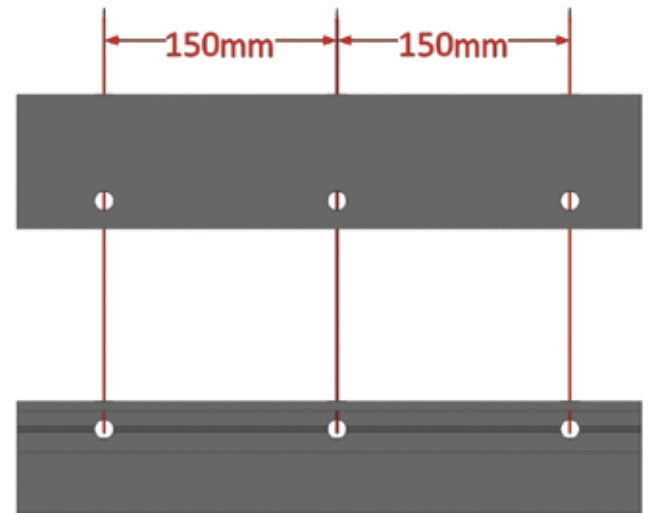
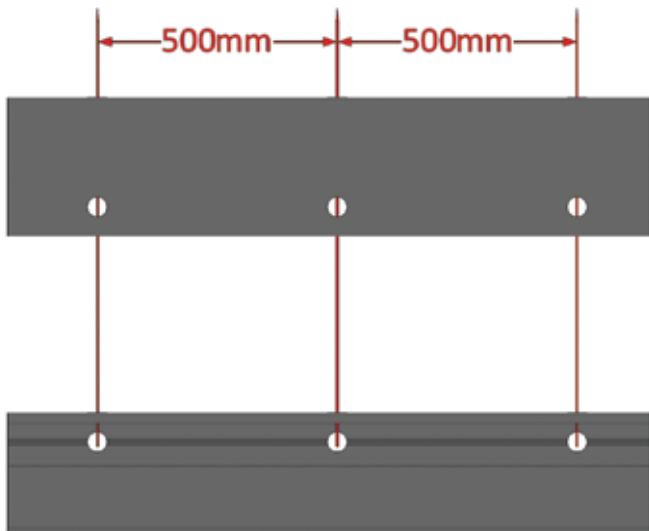
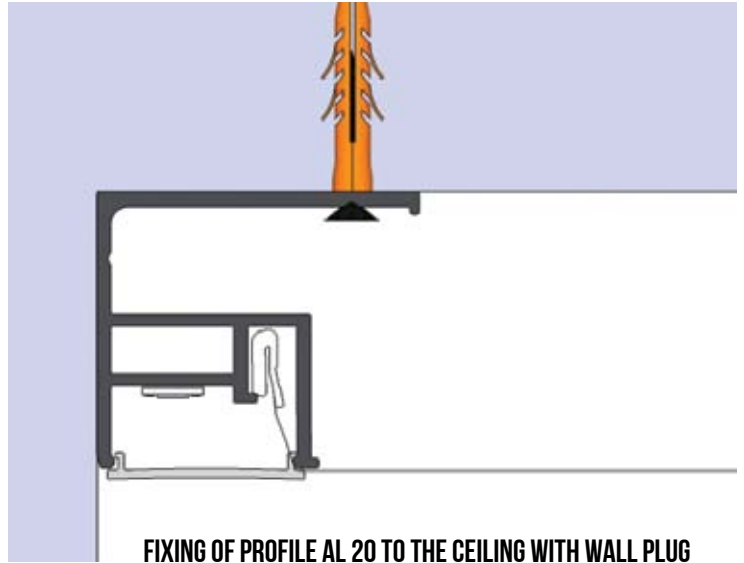
NB! WHILE TAKING MEASURES, PLEASE PAY ATTENTION TO THE POSITIONS AND INDENTS OF THE FIXINGS IN PROFILE!



FIXING OF PROFILE AL 20 TO THE WALL WITH WALL PLUG



FIXING OF PROFILE AL 20 TO THE CEILING WITH WALL PLUG



Recommended screw fixing centres for the AL-20 profile are 500 mm for concrete surfaces and 150 mm for gypsum boards. Drill size – 6mm diameter.



AL 18 KEY LIGHT



AL 20 CROWN LIGHT



AL 21 LUMINOUS



AL 22 EXPO

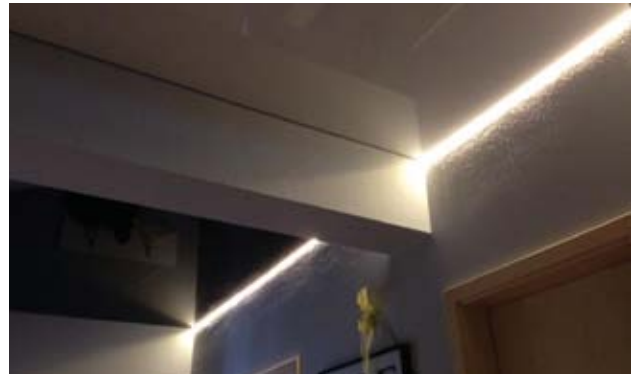


AL 23 COMBI



AL 18 KEY LIGHT

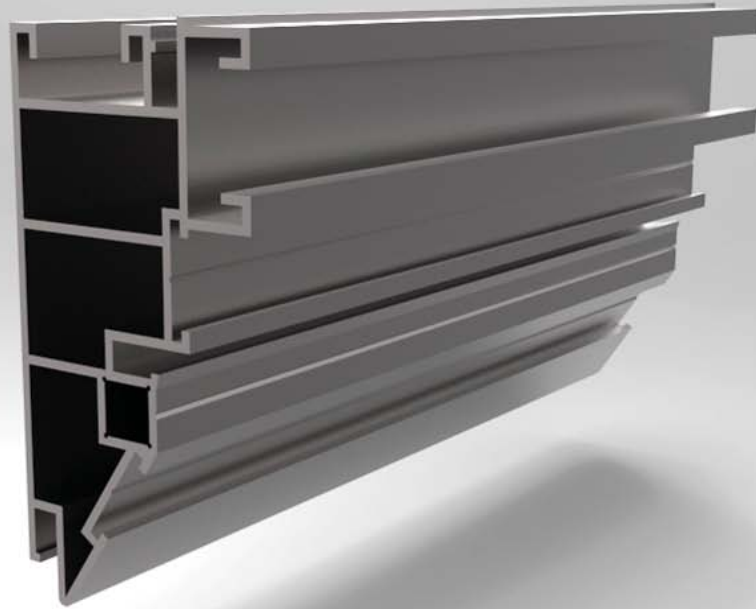
AL 20 CROWN LIGHT



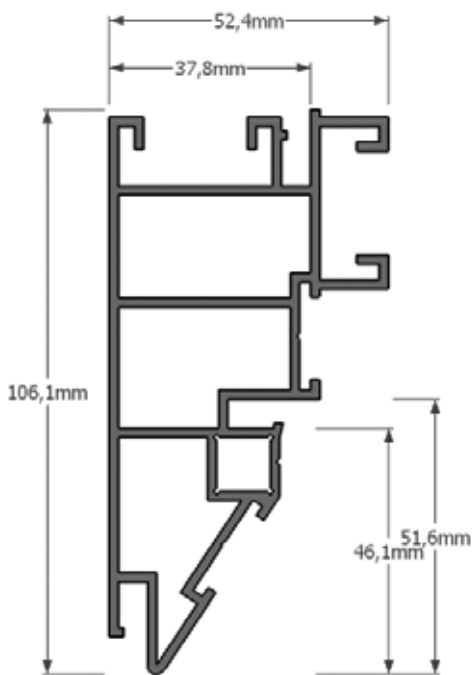
AL 21 LUMINOUS

AL 22 EXPO

AL 23 COMBI



AL 21 LUMINOUS
used with **MINI-harpoon**

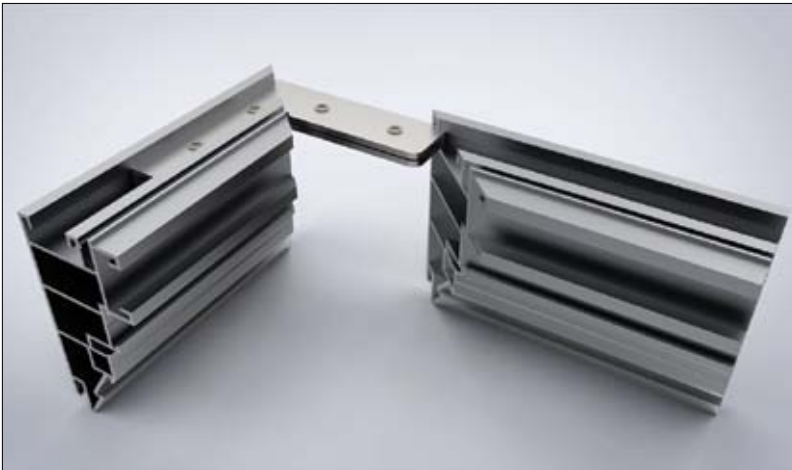
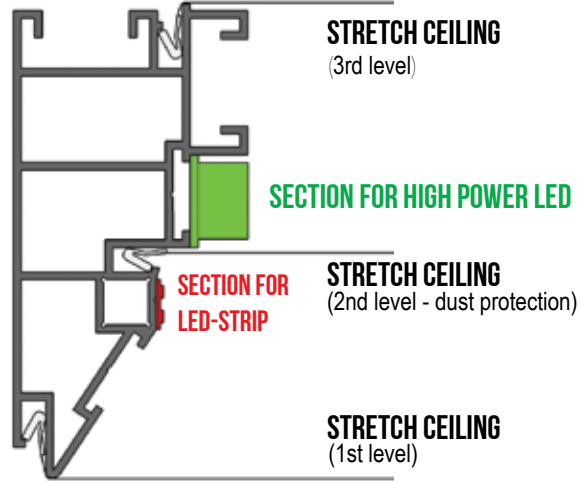


Aluminum profile AL 21 has been developed by VECTA DESIGN to enable the construction of custom light boxes using special fixings. The profile design enables the installation of a translucent membrane (3-d level) and dust protection membrane (2-d level).



LUMINOUS

NB! FOR ILLUMINATION, AN LED LIGHT SOURCE ON ONLY ONE LEVEL IS SUFFICIENT.



AL 18 KEY LIGHT

AL 20 CROWN LIGHT

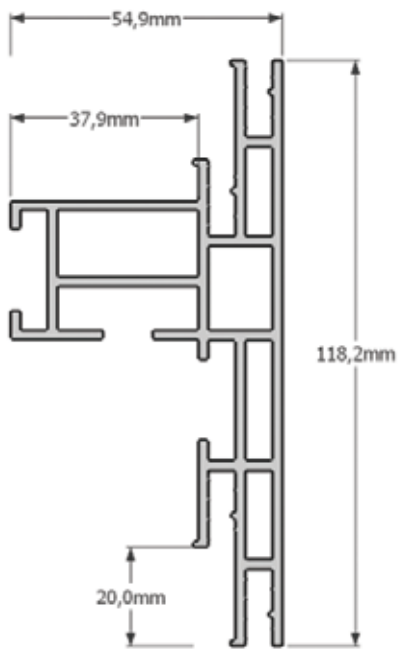
AL 21 LUMINOUS

AL 22 EXPO

AL 23 COMBI



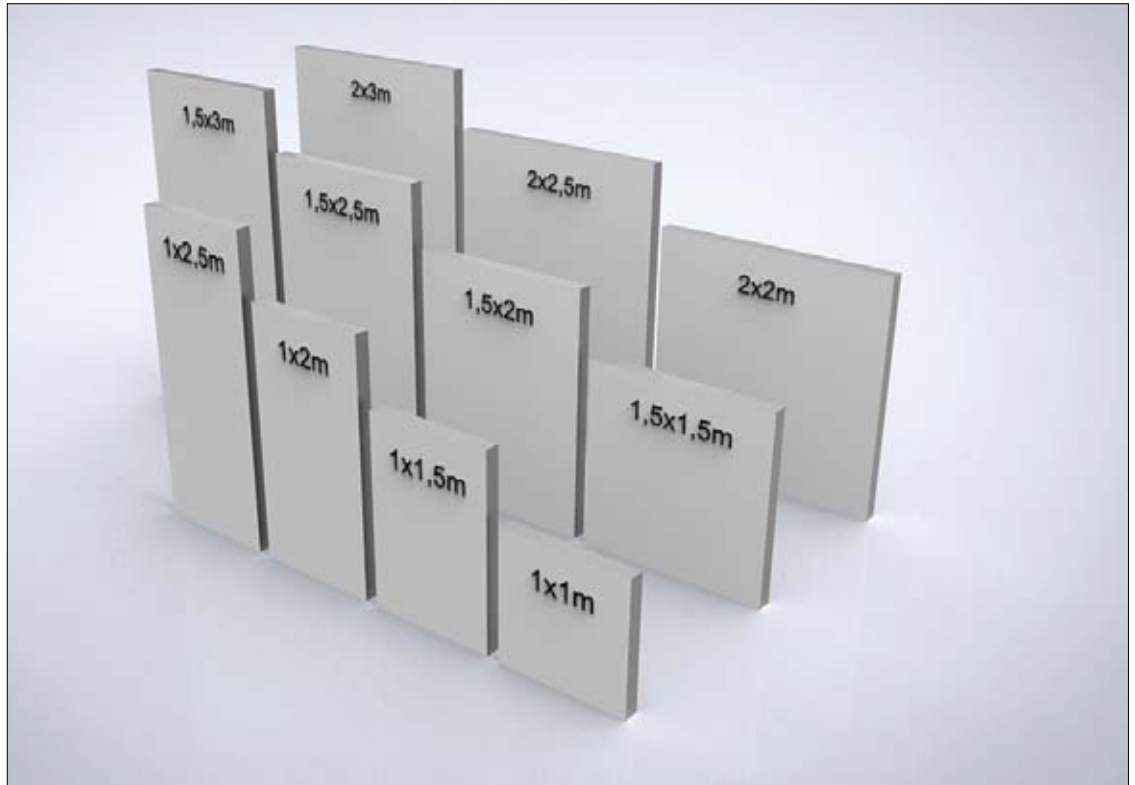
AL 22 EXPO
used with **MINI-harpoon**



VECTA EXPO is a modular system featuring stretch ceiling material installed in a frame constructed from the AL 22 profile using special fixings. If required, LED lighting can be easily installed. VECTA EXPO panels can be used as illuminated or acoustic partition walls, exhibition or information stands and, by design, can be used for other applications that may be specified by clients. The profile has the unique capability of enabling the installation of stretch materials fitted with the classical harpoon or the new Easy Access system.



EXAMPLES OF SIZES FOR
WALL PANELS MADE WITH
AL 22 EXPO PROFILE



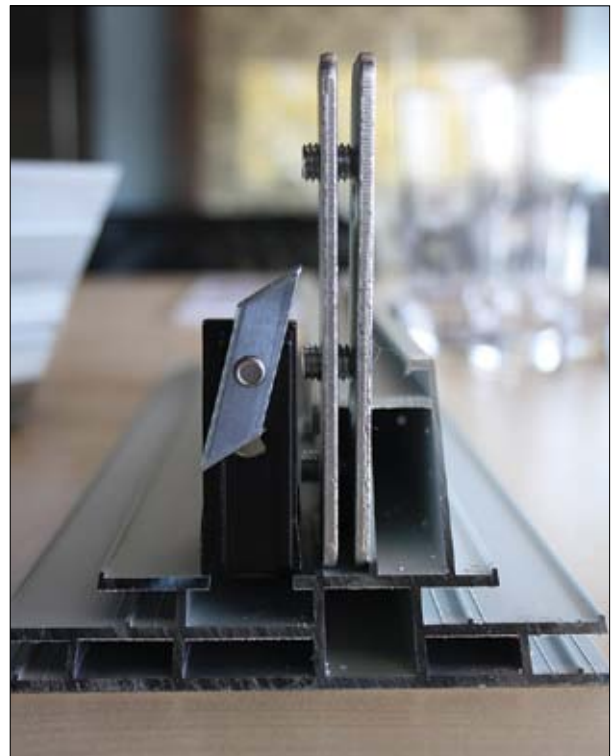
CONSTRUCTION OF AL 22 PROFILE CORNERS USING LC 01 AND LC 02 FIXINGS



LC 01



LC 02



AL 18 KEY LIGHT

AL 20 CROWN LIGHT

AL 21 LUMINOUS

AL 22 EXPO

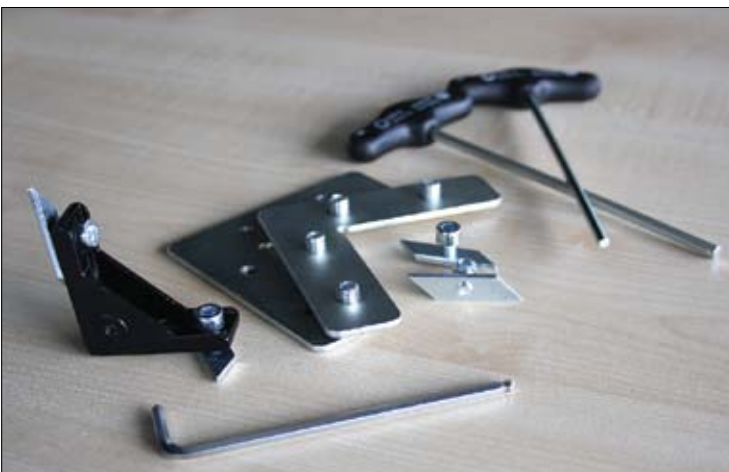
AL 23 COMBI



VECTA EXPO modules can be used with integrated lighting.



INSTALLATION OF HIGH POWER LED STRIPS USING LC 03 FIXINGS



THE FIXINGS AND TOOLS FOR THE CONSTRUCTION OF AL 22 PANELS: ANGLE CONNECTION BRACKETS LC 01 AND LC 02, FIXATION ELEMENT FOR HIGH POWER LED - LC 03 AND FIXATION OUTILS LC 04, LC 05, LC 06.

EXPO



AL 18 KEY LIGHT

AL 20 CROWN LIGHT

AL 21 LUMINOUS

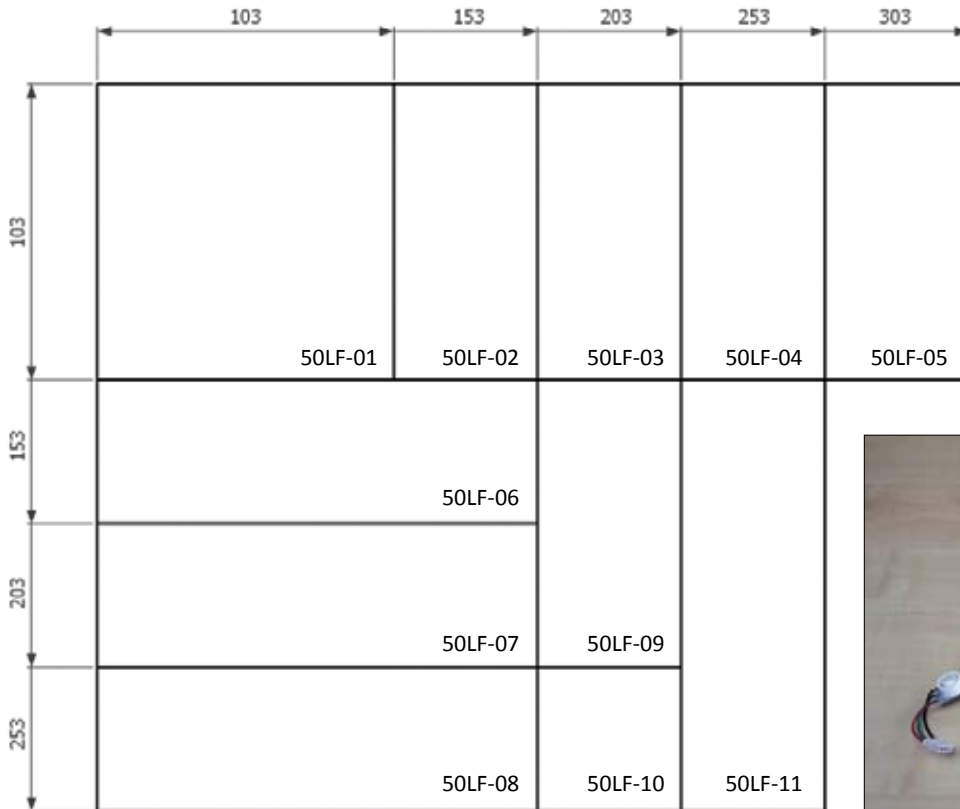


AL 22 EXPO

AL 23 COMBI



VECTA EXPO LIGHT PANELS

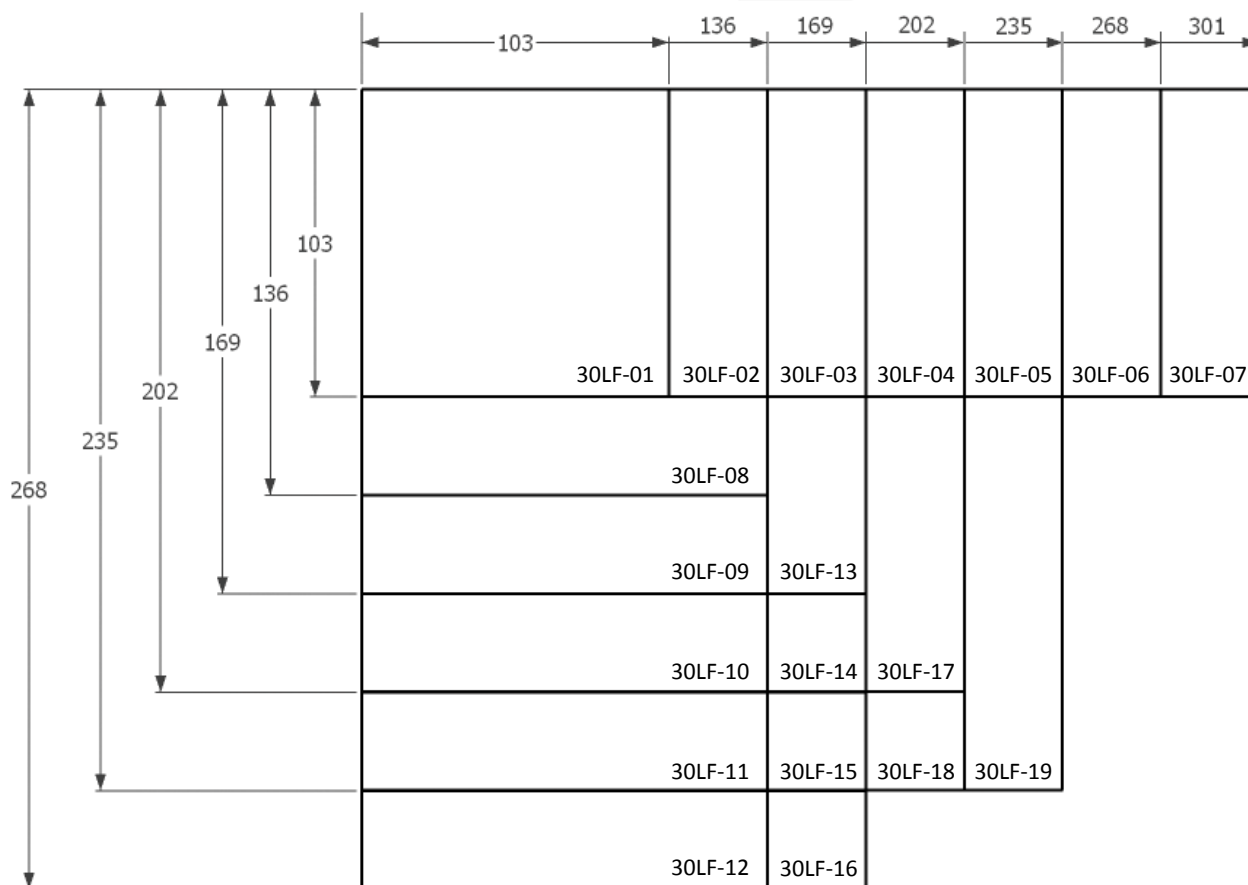


LR11

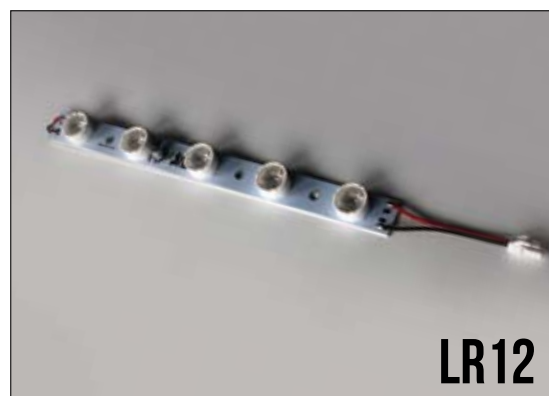
Light strip High Power LED, 24V,
length 470 mm , output power 13W,
color 6500K (cold white)

Title	Outer dimensions of panels, cm	High Power LED q-ty	Power, W
50LF-01	103x103	8	150
50LF-02	103x153	10	200
50LF-03	103x203	12	200
50LF-04	103x253	14	250
50LF-05	103x303	16	300
50LF-06	153x153	12	200
50LF-07	153x203	14	250
50LF-08	153x253	16	300
50LF-09	203x203	16	300
50LF-10	203x253	18	300
50LF-11	253x253	20	350

EXPO



Title	Outer dimensions of panels, cm	High Power LED q-ty	Power, W
30LF-01	103x103	12	200
30LF-02	103x136	14	200
30LF-03	103x169	16	200
30LF-04	103x202	18	200
30LF-05	103x235	20	200
30LF-06	103x268	22	300
30LF-07	103x301	24	300
30LF-08	136x136	16	200
30LF-09	136x169	18	200
30LF-10	136x202	20	200
30LF-11	136x235	22	300
30LF-12	136x268	24	300
30LF-13	169x169	20	200
30LF-14	169x202	22	300
30LF-15	169x235	24	300
30LF-16	169x268	26	300
30LF-17	202x202	24	300
30LF-18	202x235	26	300
30LF-19	235x235	28	300



Light strip High Power LED, 24V, length 300 mm, output power 7.4 W, color 5700 K (cold white)

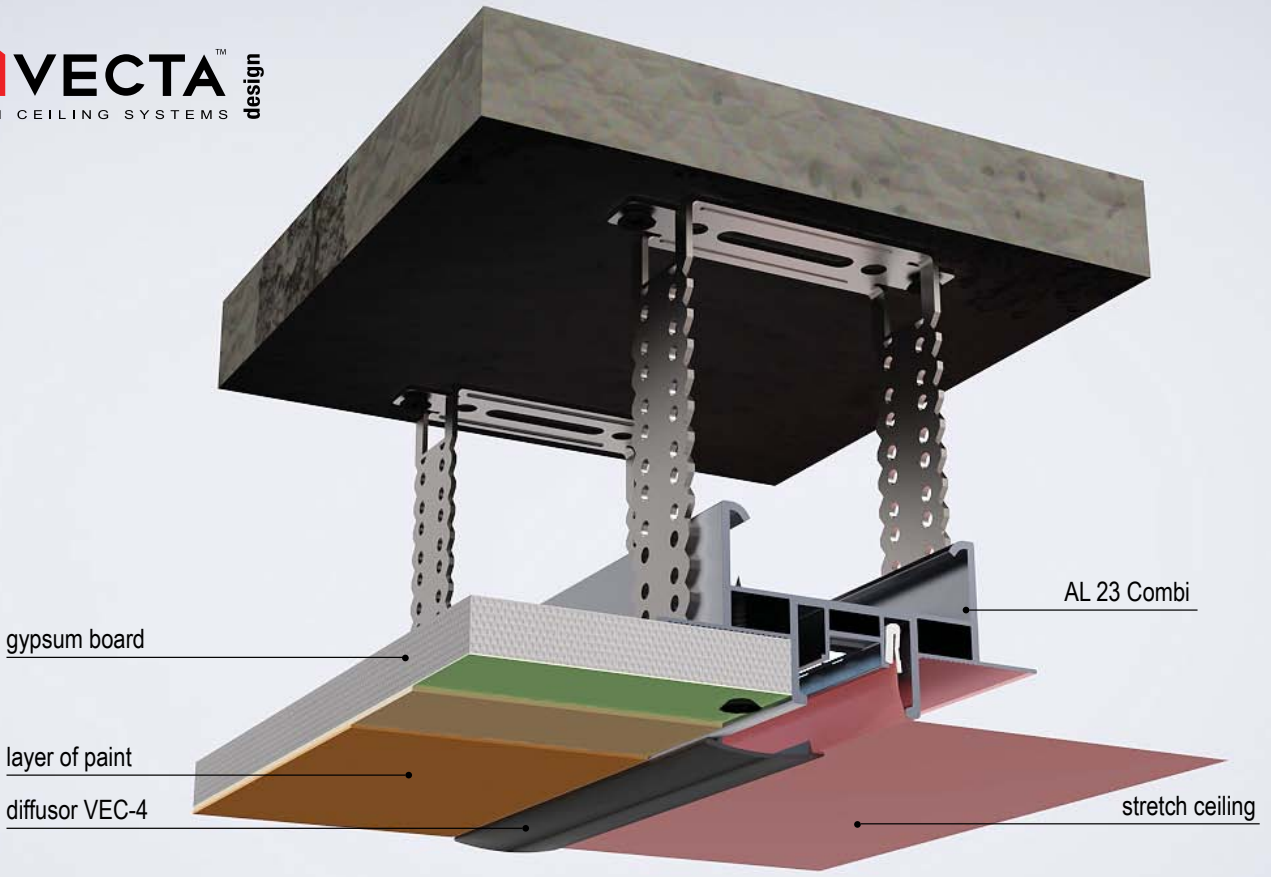
AL 18 KEY LIGHT

AL 20 CROWN LIGHT

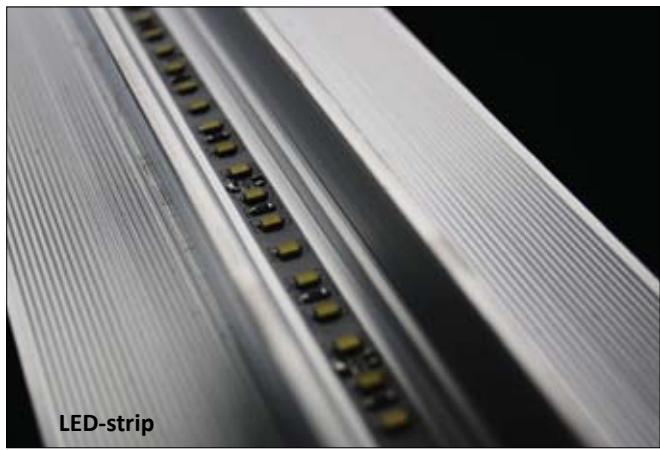
AL 21 LUMINOUS

AL 22 EXPO

AL 23 COMBI

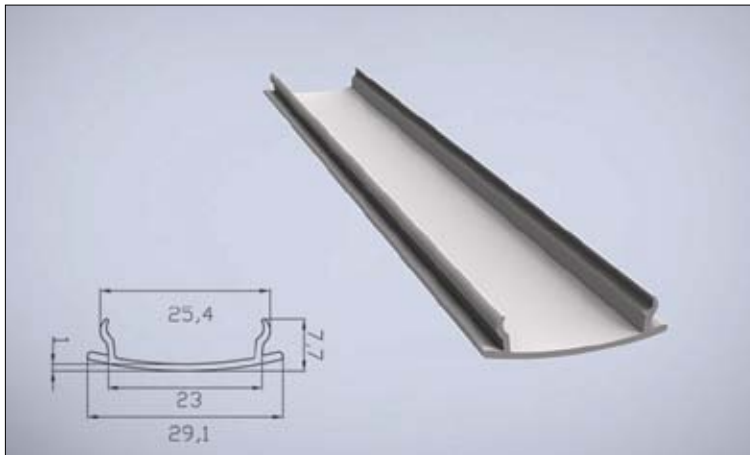
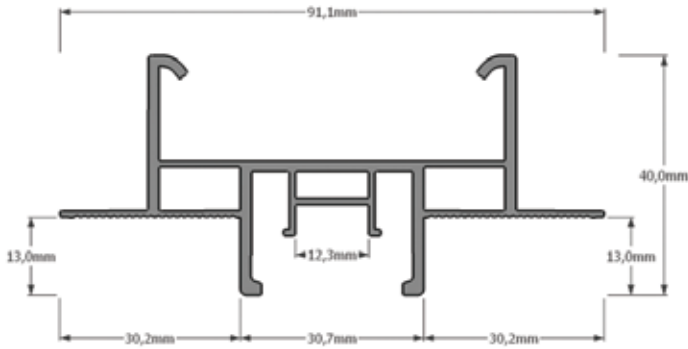


VECTA COMBI SYSTEM COMPRISES OF ALUMINUM PROFILE AL 23, LED SOURCE AND DIFFUSOR VEC 04



LED STRIPS TECHNICAL SPECIFICATIONS

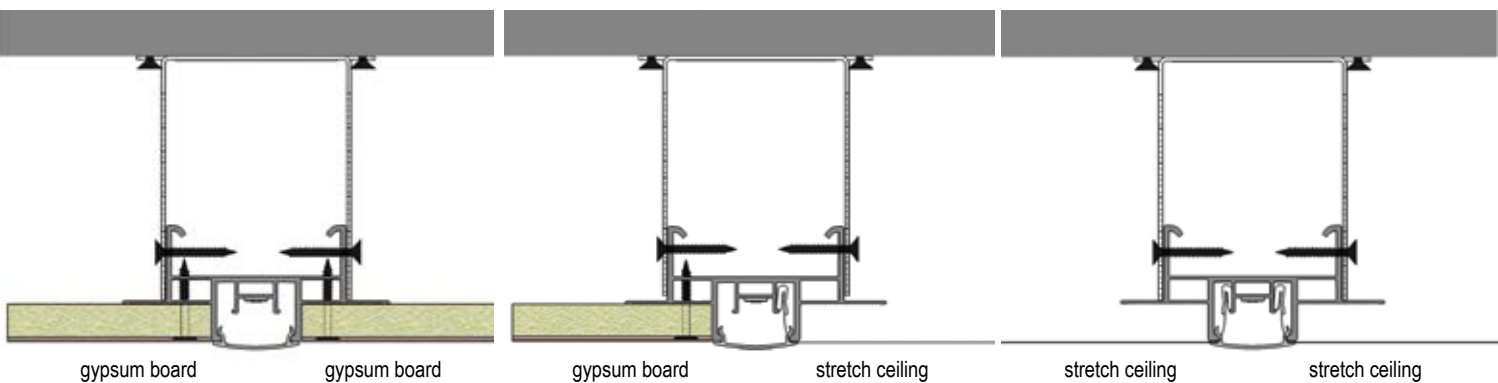
	LR-39	LR-40
Length, mm	5000	5000
Width, mm	8	8
Thickness, mm	1	1
Wavelength	6000K	4000K
LED color	cold white	neutral white
Luminous Intensity, lm/m	1700	1700
Limited voltage, V	DC 24	DC 24+-0,5
Output power, W/m	14	14



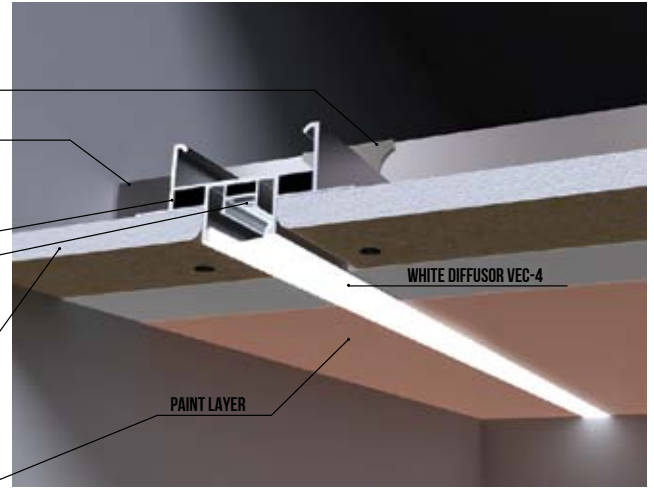
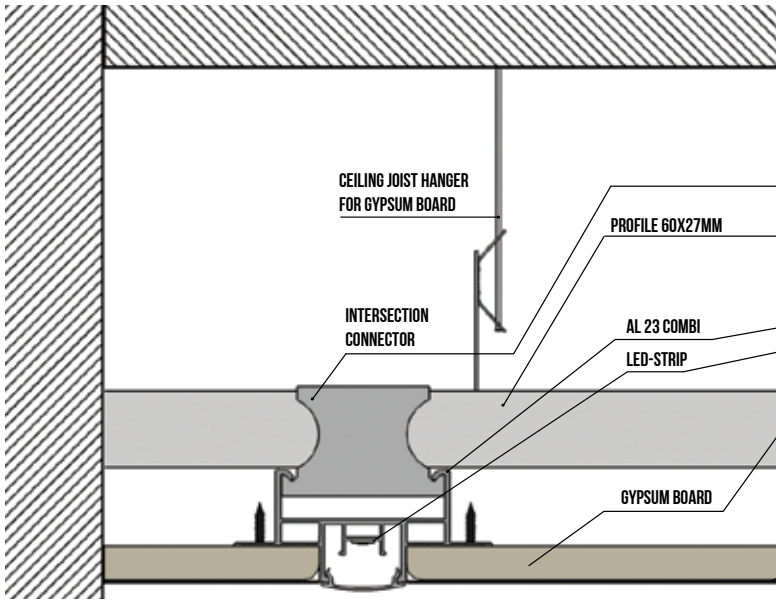
AL 23 COMBI was developed to enable integration of the **KEY LIGHT** system into gypsum board ceilings.

In addition, the **COMBI** profile is multifunctional, as it can be used to combine gypsum board and stretch ceiling material in one room. For all installations, the **COMBI** system enables the creation of interior design accents with continuous light lines from the 30mm wide LED strips. Alternative LED strips are available to provide cold or neutral light (LR-39 or LR-40) and the installation is completed by the **VEC-4** diffuser.

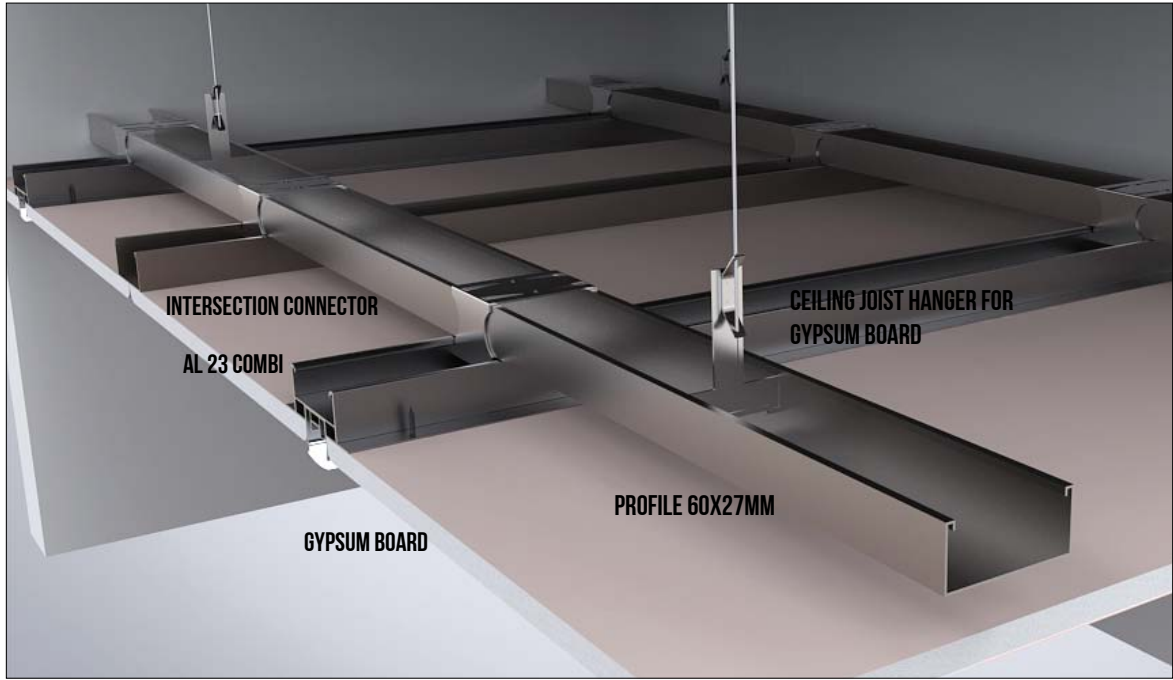
EXAMPLES OF AL23 COMBI INSTALLATIONS WITH ALTERNATIVE CEILING MATERIAL COMBINATIONS



AL 18 KEY LIGHT

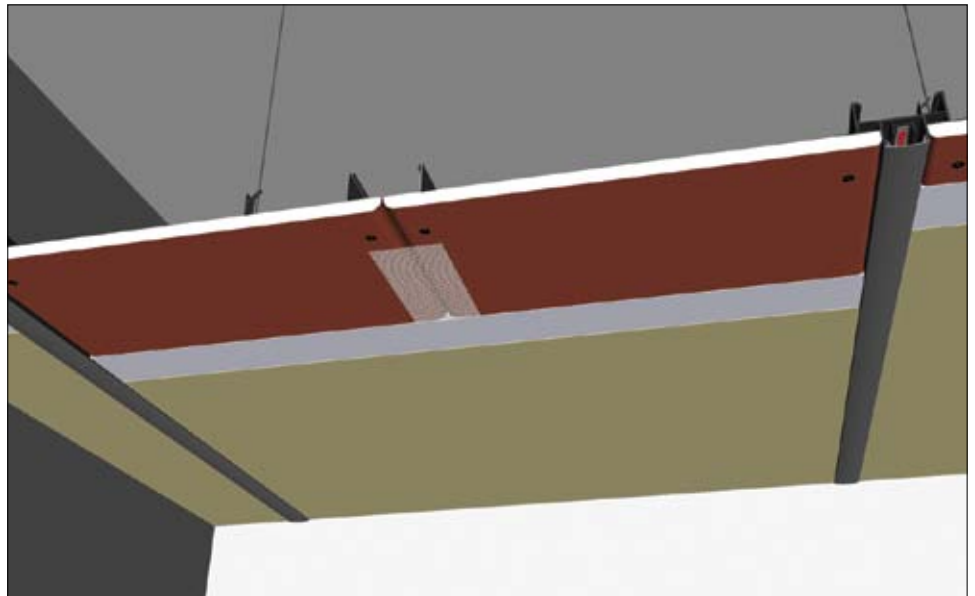


AL 20 CROWN LIGHT

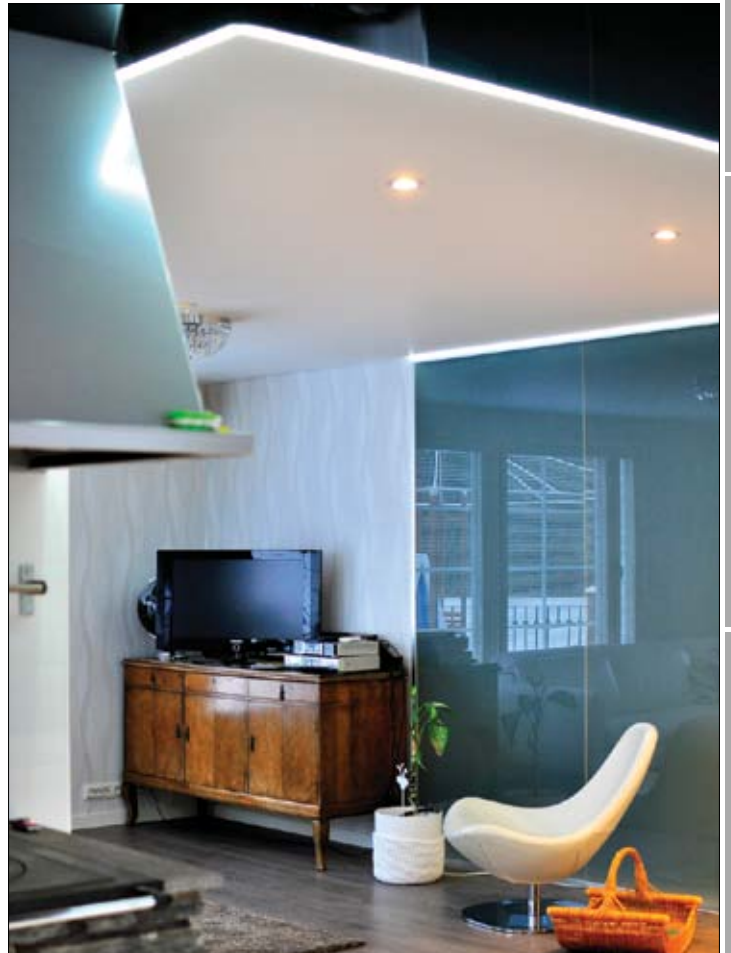


AL 21 LUMINOUS

AL 22 EXPO



AL 23 COMBI



AL 18 KEY LIGHT

AL 20 CROWN LIGHT

AL 21 LUMINOUS

AL 22 EXPO

AL 23 COMBI

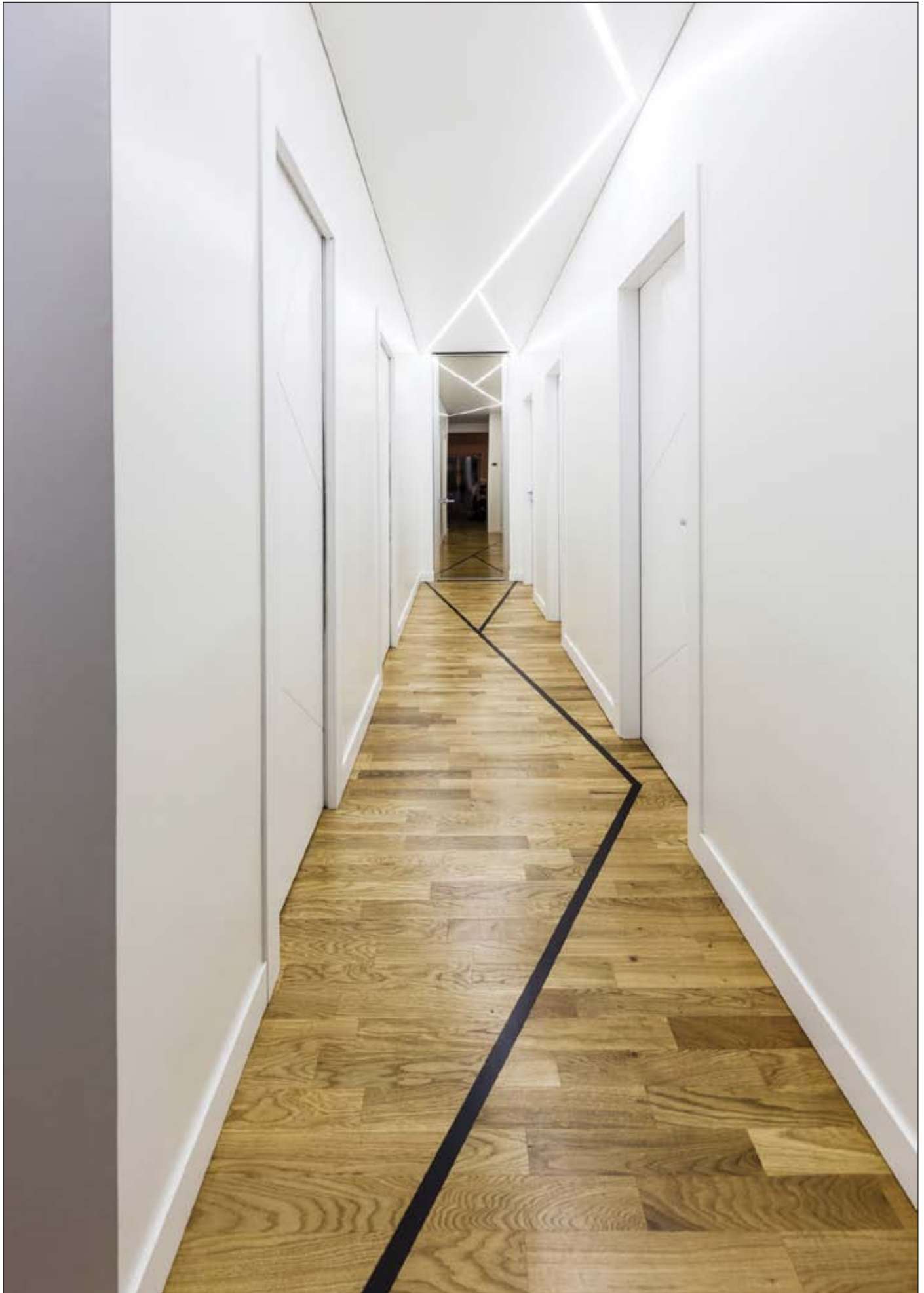
AL 18 KEY LIGHT

AL 20 CROWN LIGHT

AL 21 LUMINOUS

AL 22 EXPO

AL 23 COMBI





AL 18 KEY LIGHT

AL 20 CROWN LIGHT

AL 21 LUMINOUS



AL 22 EXPO

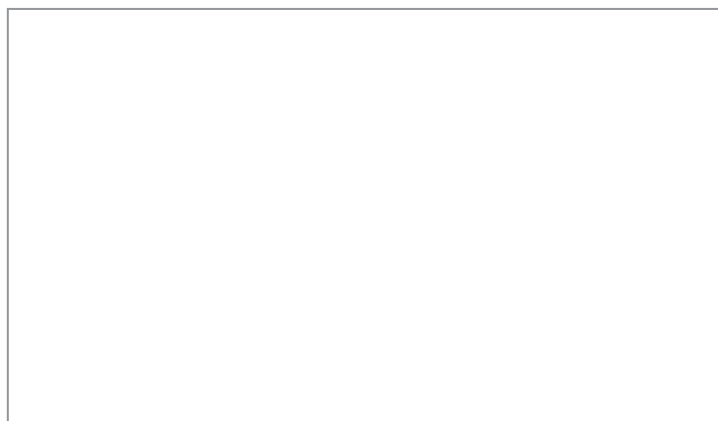
AL 23 COMBI



VECTA LIGHT SOLUTIONS 2016^{EN}



The reliability of a licensed installer/representative



Vecta Design LTD

Lao 12-1 Pärnu 80010 Estonia

Phone: +372-(44)-23-023

Fax: +372-(43)-70-339

info@vectadesign.com

www.vectadesign.com

skype: vecta-design